

TECHNICAL DATA SHEET

Hanging Rod with Light / LPAL IP20 / Aga-Led® Type B

VERSION - 03.08.2016

STANDARD LUMINAIRE

Reference	LPAL
Protection Class	IP20
Lighting Source	Aga-Led® Type B
Connector	Rigid Loop on B'Light conductor 16mm ²
Dimensions	ø33mm
Standard Length	330 - 1000 - 1670 - 2000mm
Length on measure	on request up to 3000mm
Nb Lighting Unit	17 LED/m
Voltage	24V
Power	16.32W/m to 20.4W/m
Connecting Cable	1m standard cable 2x1.5mm ²
Wall Fixation	FT1

FINISH

Color Finishing Profil

Standard	Natural Anodised Aluminium
On request	Thermo-Enameling Powder Coating RAL Color Anodising Polished Aluminium Chrome Aspect Polished Aluminium Gold Aspect Plywood (See LPALW Data Sheet)

Glass Finishing

Standard	VFC: Clear Glass
On request	VFO: Opaline Glass

ON REQUEST

Fixation	FC: Median Support
Grid	GRPR
Connection	IDP: Door Switch
Dimming Option	1-10V, Dali, KNX Ask technical departement for more information

LIGHTING SOURCE

Lighting Source	Aga-Led® Type B - Generation 2	
Ref	B3	B6
Voltage	24V	24V
Power	0.96W	1.2W
Beam Angle	120°	120°
CRI	80	80
Lifetime	50'000h	
Working T°	-20°C to +45°C	
Environmental protection	Modified acrylate resin	

Color Temperature & Luminous Flux / Unit

	2200K	2400K	2700K	3000K	4000K
Aga-Led® B3-G2	-	97 lm	137lm	137lm	137lm
Aga-Led® B6-G2	129 lm	140 lm	166 lm	166 lm	166 lm

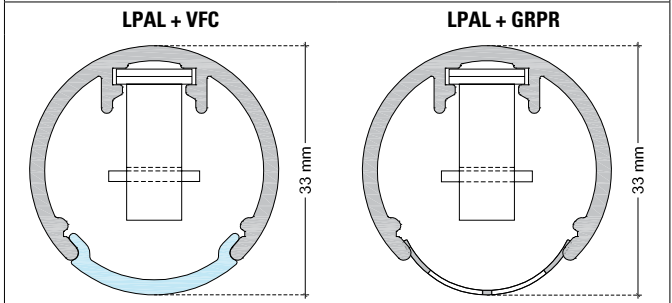
CERTIFICAT



APPLICATION: Wardrobes Lighting

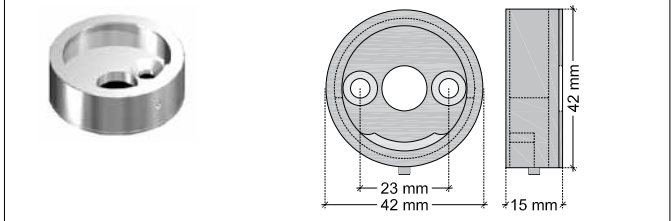


LPAL / AGA-LED® TYPE B - Rigid Loop



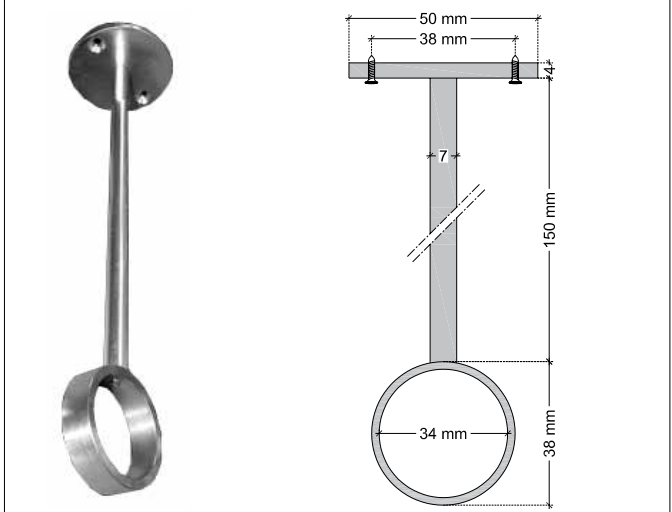
WALL FIXATION : FT1

Not available in plywood



On Request: MEDIAN SUPPORT : FC

Every 900mm for a safe installation
Not available in plywood



TECHNICAL DATA SHEET

Hanging Rod with Light / INSTALLATION

VERSION - 03.08.2016

