

TECHNICAL DATA SHEET

LED Track Light, projection Spot Light / EN-TLM030-01

VERSION - 01.09.2017

STANDARD LUMINAIRE

Reference	EN-TLM030-01
Power	30 W
Current	700 mA
Protection Class	IP20
Dimensions	4-pin track: $\varnothing 118 \times \text{Ht.} 301 \text{mm}$
Voltage	AC220-240V, 50-60Hz
Led Type	Cree Cob Led
CRI	80+ OR 90+
Beam Angle	20°
Dimmable	YES
Installation	Track or Surface-Mounted
Working T°	-20°C ~ +45°C
Warranty	5 years

FINISH

Standard	White+Black, Black
----------	--------------------

ON REQUEST

CRI	80+ or 90+
Beam Angle	20°
Installation Type	On 3-pin track or 4-pin track Surface-Mounted
Dimming Option	Triac, 1-10V <i>Ask technical departement for more information</i>

COLOR TEMPERATURE & LUMINOUS FLUX

EN-TL035-01

2'700K	3'000K	4'000K	5'000K
240 lm $\pm 5\%$	275 lm $\pm 5\%$	306 lm $\pm 5\%$	320 lm $\pm 5\%$

CERTIFICAT

CE

MAIN FEATURES:

- Designed for precise, sharp-focused projection of a light field
- A set of four framing blades and an iris diaphragm bring sharp-edged, high-contrast square & triangle lighting shape at user's convenience.
- Logo projection, customized logo can be projected at your request
- Self-dimming is available thanks to built-in dimmer
- Track head rotates through 355° and pivots through 90°.

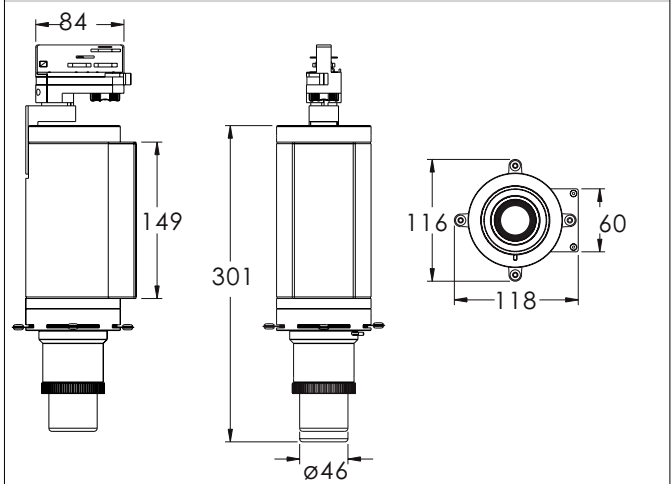
APPLICATION:

- Optimum accent lighting for museums, exhibitions, art galleries, sales and showroom areas.



TECHNICAL DRAWINGS

4-pin track



AGABEKOV



AGABEKOV SA *Manufacture* 6, ROUTE DE COMPOIS
CH-1222 VÉSENAZ - GENEVA - SWITZERLAND
Tel. +41 22 752 47 45 Fax. +41 22 752 37 08
E - mail: info@agabekov.com



AGABEKOV SA *Bureau d'etudes* 6, ROUTE DE COMPOIS
CH-1222 VÉSENAZ - GENEVA - SWITZERLAND
Tel. +41 22 752 47 45 Fax. +41 22 752 37 08
Internet: www.agabekov.com



TECHNICAL DATA SHEET

LED Projection Spot Light / EN-TLM030-01

VERSION - 01.09.2017



- 1 | Condenser lens
- 2 | Logo or color filter plate holder
- 3 | Lens & Framing structure

Framing structure + Logo Projection

Through adjustable framing blades and iris diaphragms, can showing off both square and circular exhibits to optimum effect. A built-in plate holder creates ideal logo or color projection.

1. The framing blades controls the light beam for square illustrations.
2. The iris diaphragm controls the light beam for circular illustrations.
3. Logo & color filter projection. Logo can be customized.



Logo



Filter

Lenses

Optical structure functions with condenser and objective lens set, provide uniform light distribution and adjustment of resolution. Zooming action can be performed by just turning front ring.

- Lenses
- Condenser lens
- Objective lens

Radiation angles
spot: 20°

AGABEKOV



AGABEKOV SA Manufacture 6, ROUTE DE COMPOIS
CH-1222 VÉSENAZ - GENEVA - SWITZERLAND
Tel. +41 22 752 47 45 Fax. +41 22 752 37 08
E - mail: info@aaabekov.com



AGABEKOV SA Bureau d'etudes 6, ROUTE DE COMPOIS
CH-1222 VÉSENAZ - GENEVA - SWITZERLAND
Tel. +41 22 752 47 45 Fax. +41 22 752 37 08
Internet: www.aaabekov.com

