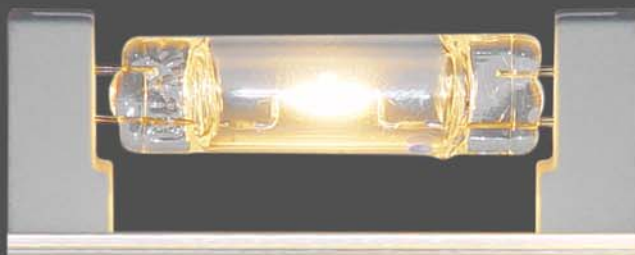




AGABEKOV
LIGHTING COMPANY INTERNATIONAL®

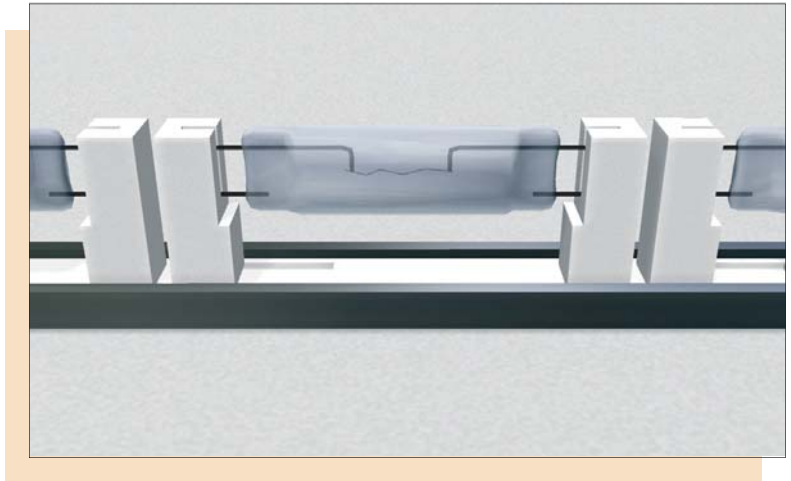
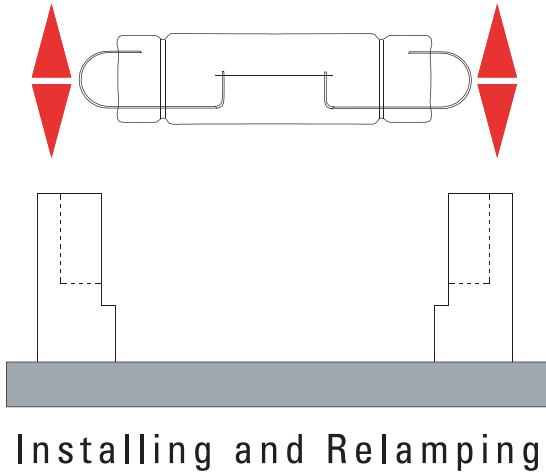
AGA
▲ CLIP ▼®



*Power Connector's, Linear & Corner Connector's,
Lamping & Relamping Xenon Rigid Loop Lamps*

NEW AGA-CLIP ADAPTOR

Fast Installation, Lamping & Relamping



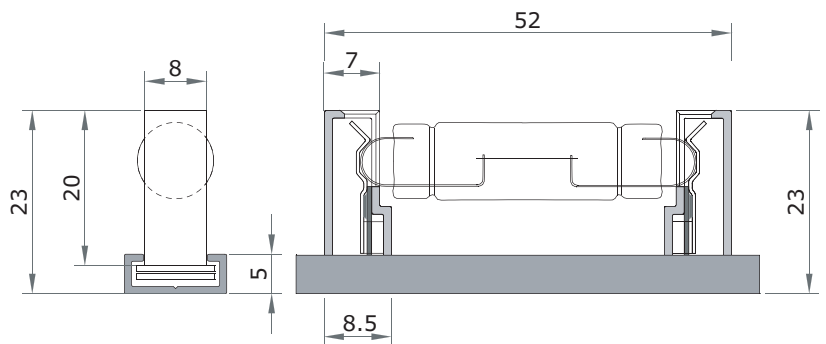
AGA-CLIP Advantage

- Easy Lamp Installation
- Easy Lamp Replacement
- Time Saving



BX-AC

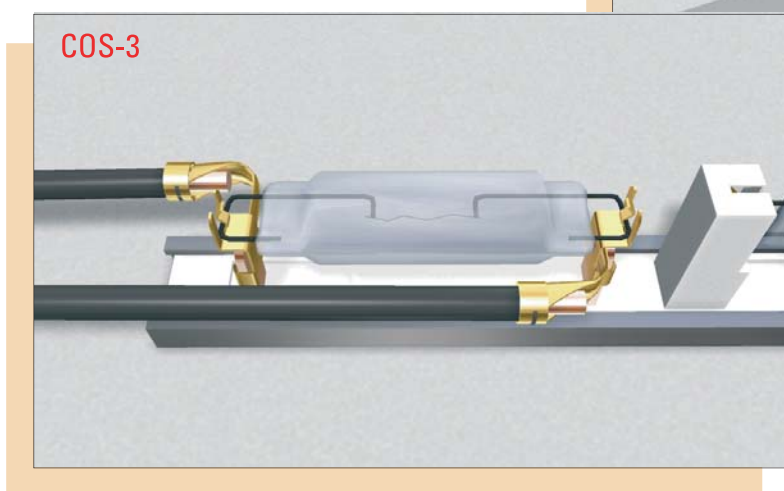
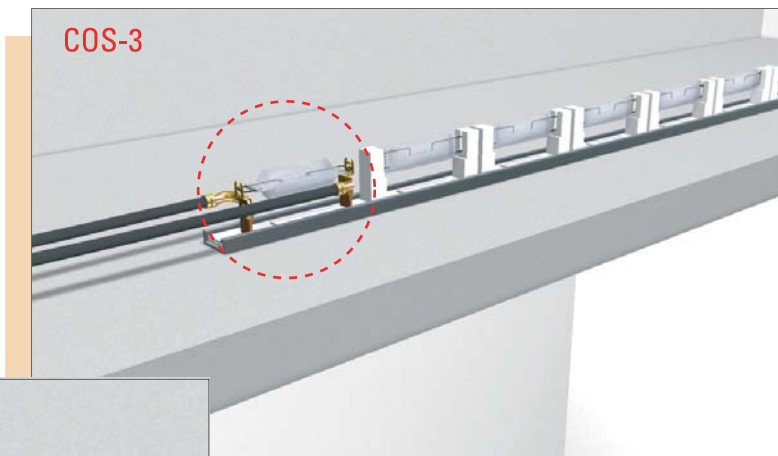
CM-AC



This configuration with lamp support and cable connection using **BX-CA**, **CM-AC**, can be only used with luminaires without Lexan® or Polycarbonate cover. **COS-3** & **COS-4** can be used in all luminaires

NEW AGABEKOV COS-3 POWER CONNECTOR

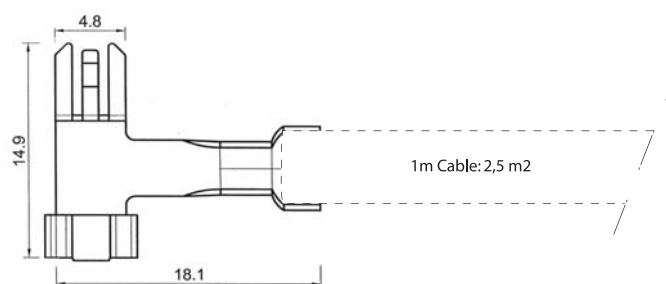
No Dark Spot !



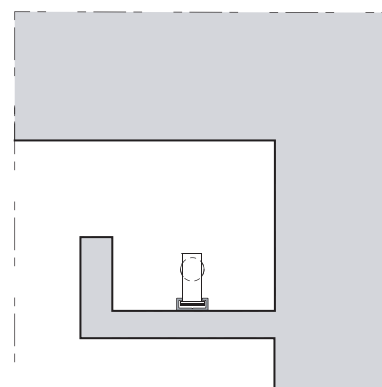
COS-3 Power Connector



COS-3 with 1 m Cable 2.5 m2



COS-3



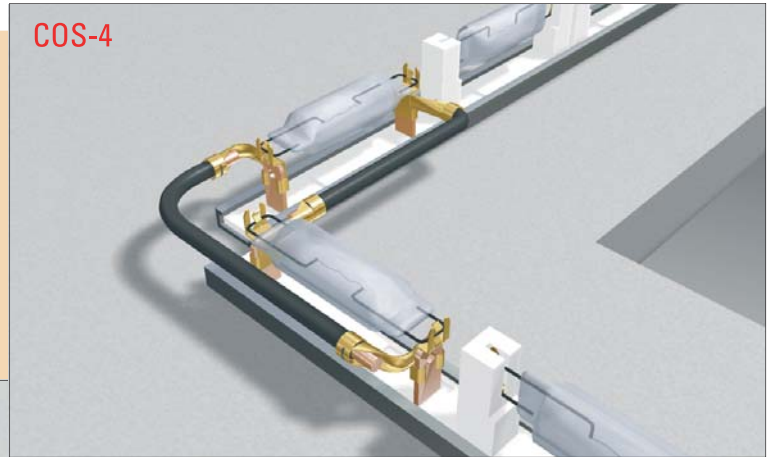
Example of Cornice

This configuration with lamp support and cable connection using **BX-CA**, **CM-AC**, can be only used with luminaires without Lexan® or Polycarbonate cover. **COS-3** & **COS-4** can be used in all luminaires

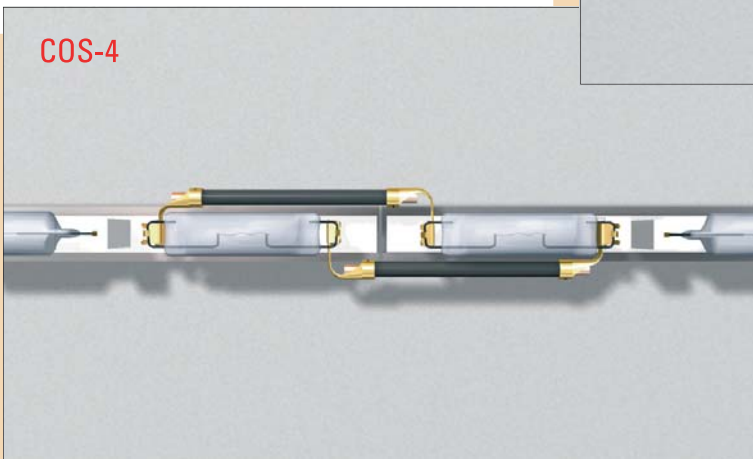
NEW AGABEKOV COS-4 CORNER & LINEAR BRIDGING

No Dark Spot !

Corner Connection



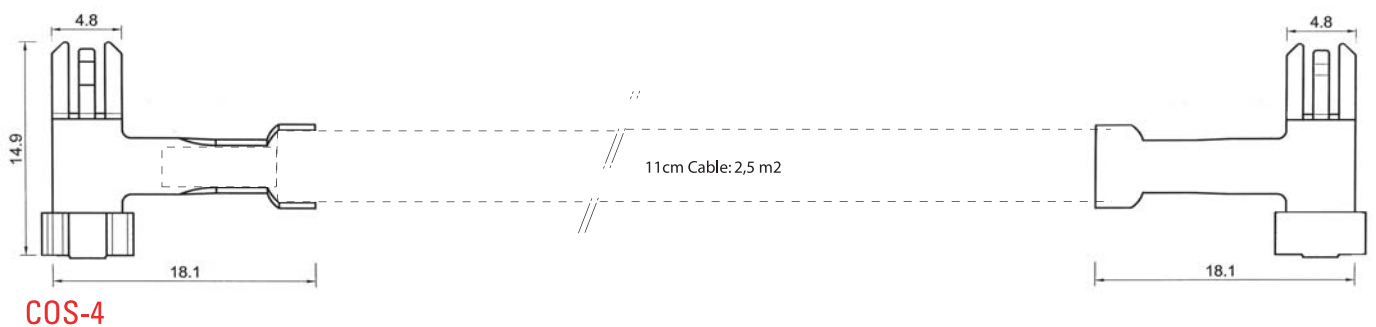
Linear Connection



COS-4 with 11 cm Cable 2.5m2

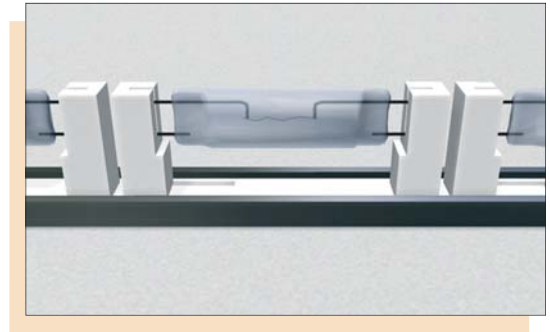
COS-3 & COS-4 Advantage

- No Dark Spot in cornice, ceiling, bibliotheque...
- Easy installation, No soldering needed
- Can be used in all Interior Luminaires



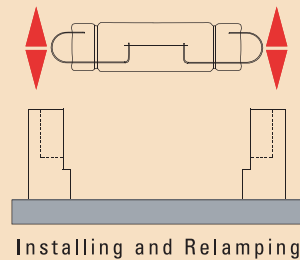
This configuration with lamp support and cable connection using **BX-CA**, **CM-AC**, can be only used with luminaires without Lexan® or Polycarbonate cover. **COS-3 & COS-4** can be used in all luminaires

AGA CLIP®



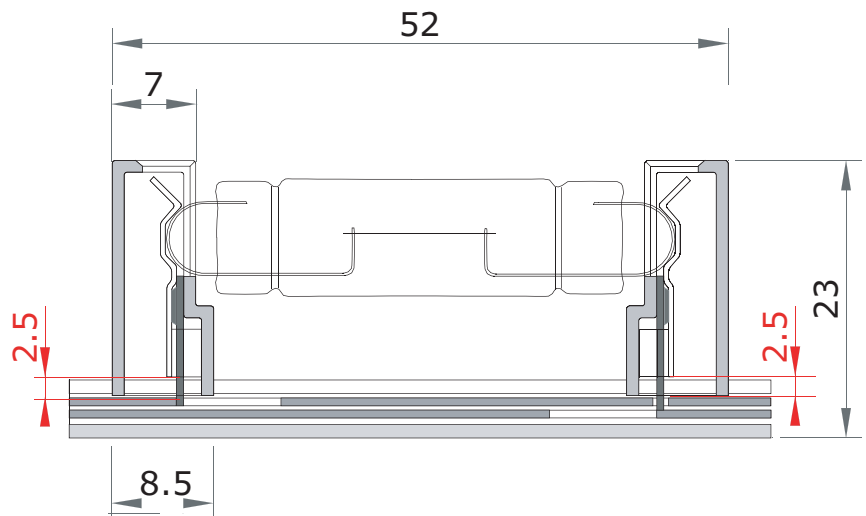
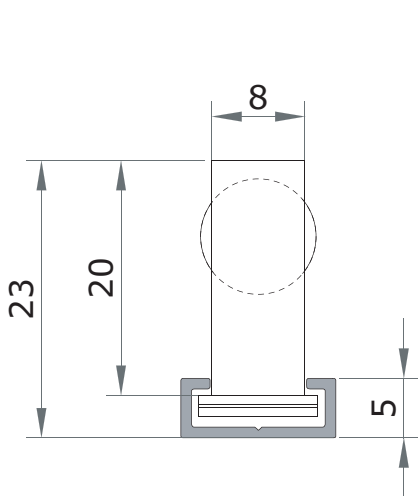
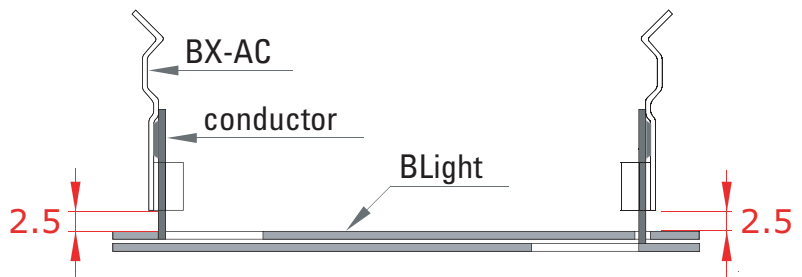
Mounting Instruction

Replace old BXA by BX-AC
Leave min 2.5 mm as on drawing
plug the CM-AC then Xenon Lamp



BX-AC

CM-AC



MANUFACTURE 6, ROUTE DE COMPOIS
CH - 1222 VÉSENAZ
Telephone: ++4122 752 47 45
E-mail: info@agabekov.com

BUREAU D'ETUDES 73, ROUTE DE THONON
GENEVA SWITZERLAND
Telefax: ++4122 752 37 08
Internet: www.agabekov.com



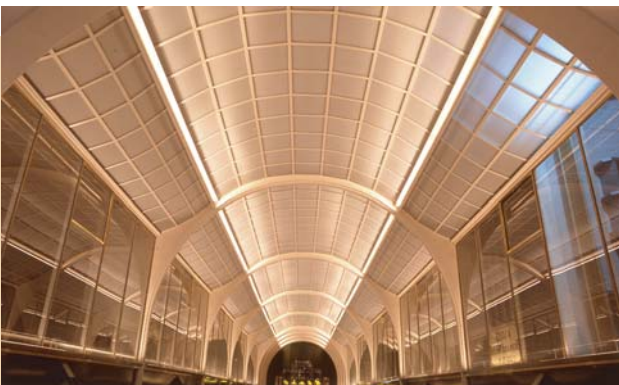
References



Hotel Riga Waseda, Tokyo , Japan.
Lighting: Odelic



Hotel Okura, Hamamatsu , Japan.
Lighting: Odelic



Saint François Passage, Lausanne, Switzerland.
Lighting: Agabekov SA



Palazzo Barberini Roma, Italy.
Lighting: Arch. Biccari-Iacopini. Photo: Studio Eos



The Sage Music Centre (Gateshead), England.
Lighting: Equation Lighting. Architect & Photo: Foster & Patners



Catedral Palma de Mallorca.
Lighting: Jordi Calero, CA2L il.Luminació. Photo: Propias Cathedral de Mallorca



Les Quais Hennessy - Museum, Cognac , France.
Architecte: Jean.Michel Wilmotte. Photo: Bruno Delamain



Delegation of Japan, Geneva, Switzerland
Lighting: Agabekov SA